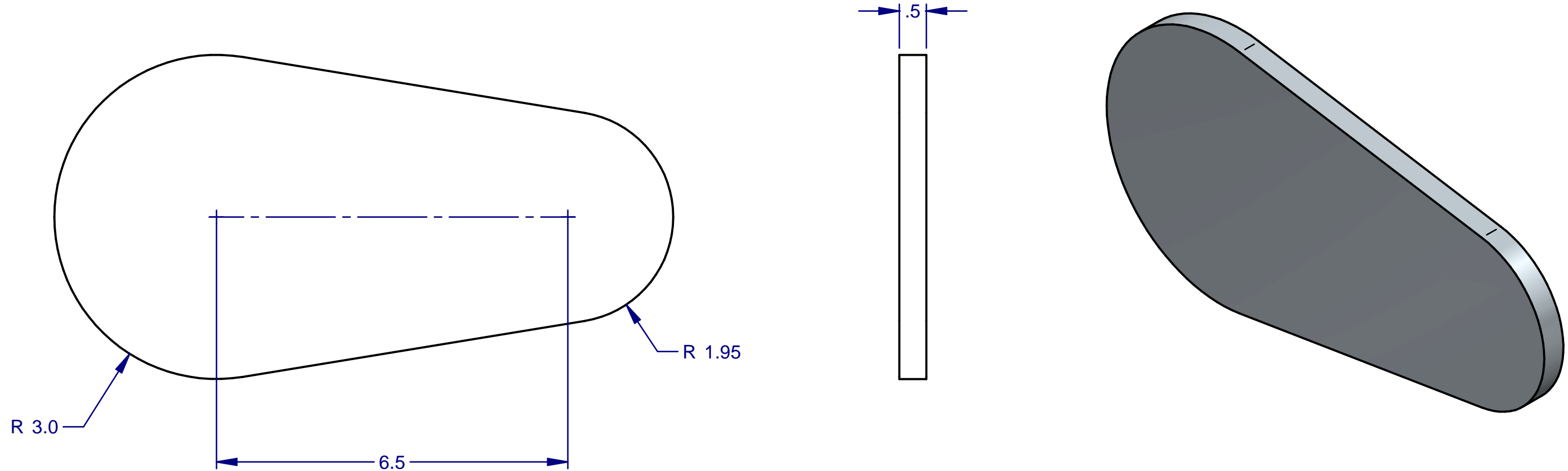


NOTICE: THIS DESIGN WAS ORIGINATED BY AND EMBODIES A CONFIDENTIAL PROPRIETARY DESIGN OWNED BY SOUTHWESTERN INDUSTRIES. IT IS DISCLOSED IN CONFIDENCE FOR A SPECIFIC PURPOSE AND THE RECIPIENT HEREOF AGREES NOT TO MAKE ANY REPRODUCTION, DISCLOSURE OR OTHER USE OF THIS INFORMATION WITHOUT THE WRITTEN CONSENT OF SOUTHWESTERN INDUSTRIES.

REVISIONS				
REV	DESCRIPTION	ECN	DATE	APPRV
1	PROTOTYPE RELEASE	---	11/21/13	GW



		DIMENSIONS ARE IN INCHES DEC. .X = ±.1, .XX = ±.01, .XXX = ±.005, ANGLES .XX = ±0°30' FRACTIONS = ±1/8 FINISH = 125 RMS REMOVE ALL SHARP EDGES MASK ALL TAPPED HOLES DIMENSIONING ASME Y14.5	APPROVALS	DATE	SOUTHWESTERN INDUSTRIES, INC. 2605 HOMESTEAD PLACE RANCHO DOMINGUEZ, CA. 90220-5610		
			DRAWN BY Bob	11/18/13			
			MATERIAL	ENGINEER	SIZE B CODE IDENT. NO. 06238 DWG NO. MILL 304 REV 1		
			ALUMINUM	MFE			
NEXT ASSY	USED ON	FINISH	FE				
APPLICATION		NONE					