

Southwestern Industries, Inc.
Site Preparation Guide
TRAK DPMSX3

Before an Authorized Field Service Technician can perform the machine's final checkout, the following requirements must be met:

- The machine must be in position and placed on its rest pads
- To offload the machine, a 10000 lb. forklift with 6' extension is required.
- The machine must be leveled (refer to installation and service manual).
- The machine must be wired (refer to the installation and service manual).
- The machine must have air hooked up if power drawbar is installed (see the installation and service manual).
- The machine must be cleaned. Remove all grease from the way surfaces.

Space & Weight

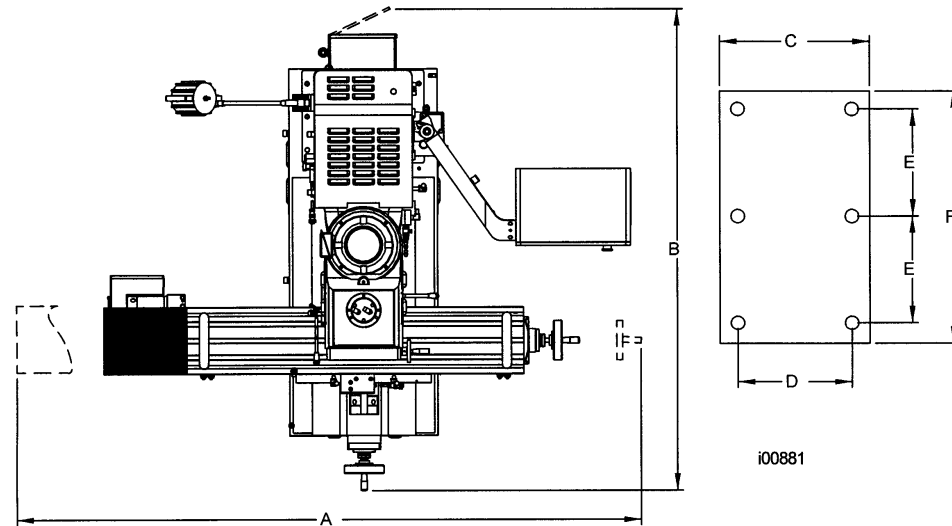
- Floor area = 108" x 66"
- Height = 95"
- Footprint = 24" x 43.3"
- Net (approx) Weight = 4100 lbs.
- Shipping (approx) Weight = 4400 lbs.
- Pallet Size = 6' x 6'
- Allow clearance at the rear of the mill to open and work on the electrical box.
- A solid and level foundation to maintain approximately 4100 lbs. plus the weight of the work piece (maximum total 5500 lbs) is required. Six leveling screws are provided.

Electrical

- Non spindle control: A separate 220/440 VAC, 14/7 Amps minimum, 60 Hz, 3 Phase circuit is required to maintain proper operation
- A separate 110 VAC, 8 Amps minimum, 60 Hz circuit is required to maintain proper operation.
- **Machine with Spindle Control Option is only available in the 220 VAC configuration.** A separate 220V, 17.5 amp minimum, 60 Hz, 3 phase circuit is required. For shops with 440 VAC, a step-down transformer to 220 VAC must be used. The transformer must be sized to carry a load of 17.5 amps minimum.
- Machine tool must be earth grounded.

Air (for optional Power Draw Bar)

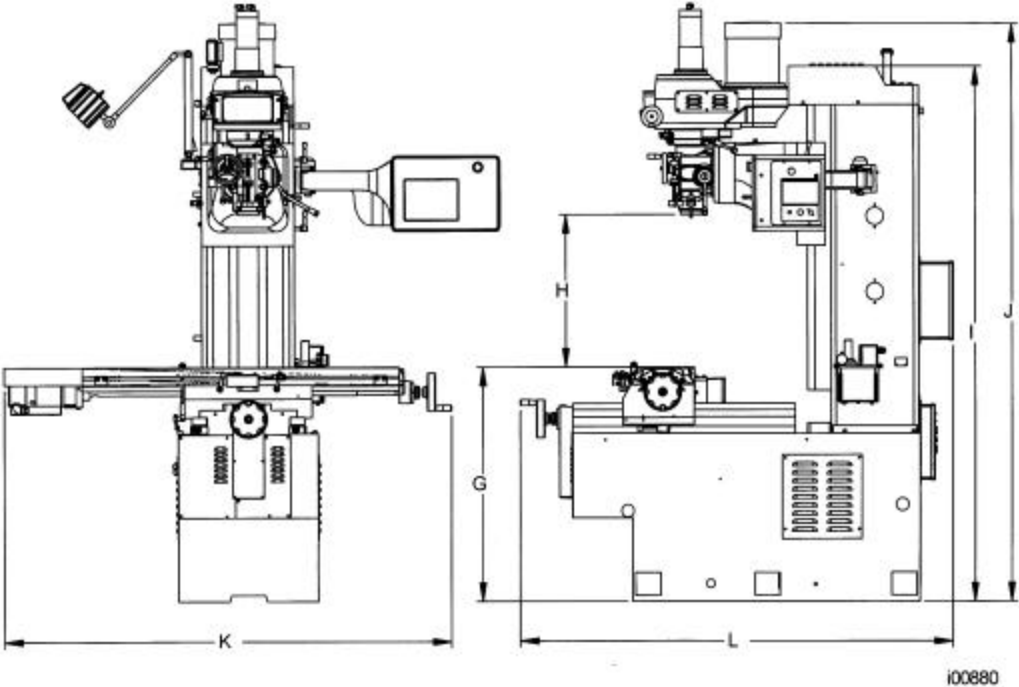
- ¼" NPT connection
- Air pressure not to exceed 100 psi



DPMSX3 Machine Footprints

A	Overall width	108"
B	Overall length	76"
C	Bed width	24"
D	Bed width between leveling screws	21.7"
E	Distance between leveling screws	18.1"
F	Bed length	43.3"

Site Preparation Guide
 TRAK DPMSX3



DPMSX3 Overall Dimensions

G	Height of table from bottom of bed	38"
H	Maximum distance from spindle nose to table	23.5"
I	Height of machine from bottom of bed to top of column cover	85"
J	Maximum height of machine from bottom of bed to top of spindle motor	95"
K	Width of machine including table tray	73"
L	Length of machine with electric box door closed	66"



Southwestern Industries, Inc.
 2615 Homestead Place
 Rancho Dominguez, CA 90220-5610 USA
 T | 310.608.4422 | F | 310. 764.2668
 Service Department: 800.367.3165

e-mail: sales@southwesternindustries.com | service@southwesternindustries.com | [web: southwesternindustries.com](http://web:southwesternindustries.com)