

Site Preparation Guide

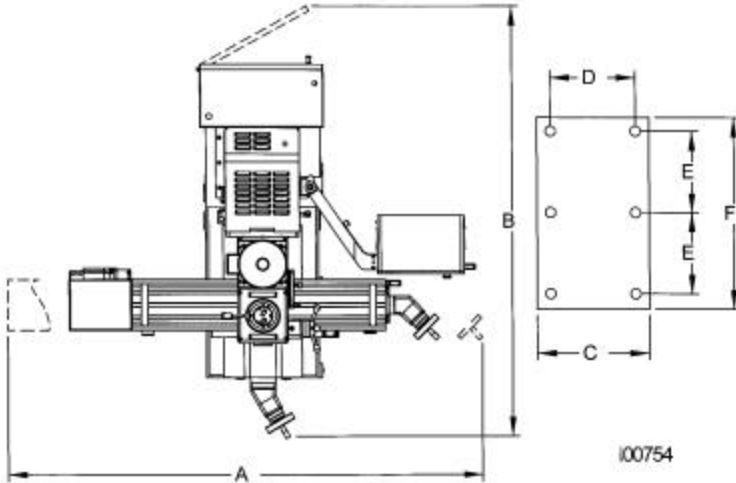
TRAK FHM5

Before an Authorized Field Service Technician can perform the machine's final checkout, the following requirements must be met:

- The machine must be in position and placed on its rest pads.
- To offload the machine, a 6000 lb. forklift with 6' extensions is required.
- The machine must be leveled (refer to the installation and service manual).
- The machine must be wired (refer to the installation and service manual).
- The machine must have air hooked up if power drawbar is installed (see the installation and service manual).
- The machine must be cleaned. Remove all grease from the way surfaces.

Space & Weight

- Floor area = 136" x 105"
- Height = 100"
- Footprint = 24" x 48.4"
- Net (approx.) Weight = 4400 lbs.
- Shipping (approx) Weight = 4700 lbs.
- Pallet size = 6' x 6'
- The floor area encompasses the space required for the table to move full travel in both directions, plus a 22" clearance from the rear of the bed. The space at the rear is required for repair access to the electrical cabinet.
- A solid and level foundation to maintain approximately 4400 lbs. plus the weight of the workpiece (maximum total 6000 lbs) is required. Six leveling screws are provided



FHM5 Machine Footprints

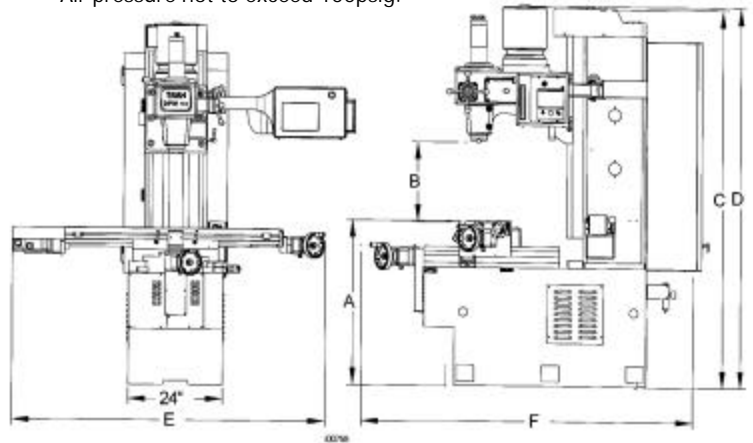
A	Overall width	136"
B	Overall length	105"
C	Bed width	24"
D	Bed width between leveling screws	21.7"
E	Distance between leveling screws	20.5"
F	Bed length	48.4"

Electrical

- 220 VAC, 17.5 amp, 60 Hz, 3 Phase
- A separate 220 VAC circuit with a 30 AMP breaker is required to maintain proper operation.
- A separate 110VAC, 15 amp minimum, , 60hz circuit is required.
- Machine tool must be earth grounded
- A step down transformer is required for 440V

Air

- ¼" NPT connection.
- Air pressure not to exceed 100psig.



FHM5 Overall Dimensions

A	Height of table from bottom of bed	48"
B	Distance from spindle nose to table	20.5"
C	Height of machine from bottom of bed to top of column cover	87"
D	Height of machine from bottom of bed to top of spindle motor	100"
E	Width of machine including table	94"
F	Length of machine with electric box door closed	81"



Southwestern Industries, Inc.

2615 Homestead Place
 Rancho Dominguez, CA 90220-5610 USA
 T | 310.608.4422 | F | 310.764.2668