

# Southwestern Industries, Inc.

## Site Preparation Guide

### TRL 1440EX

Before an Authorized Field Service Technician can perform the machine's final checkout, the following requirements must be met:

- The machine must be in position and placed on its rest pads
- To offload the machine, a 6000 lb. forklift with 6' extension is required.
- The machine must be leveled (refer to installation and service manual).
- The machine must be wired (refer to the installation and service manual).
- The machine must be cleaned. Remove all grease from the way surfaces.

## Space & Weight

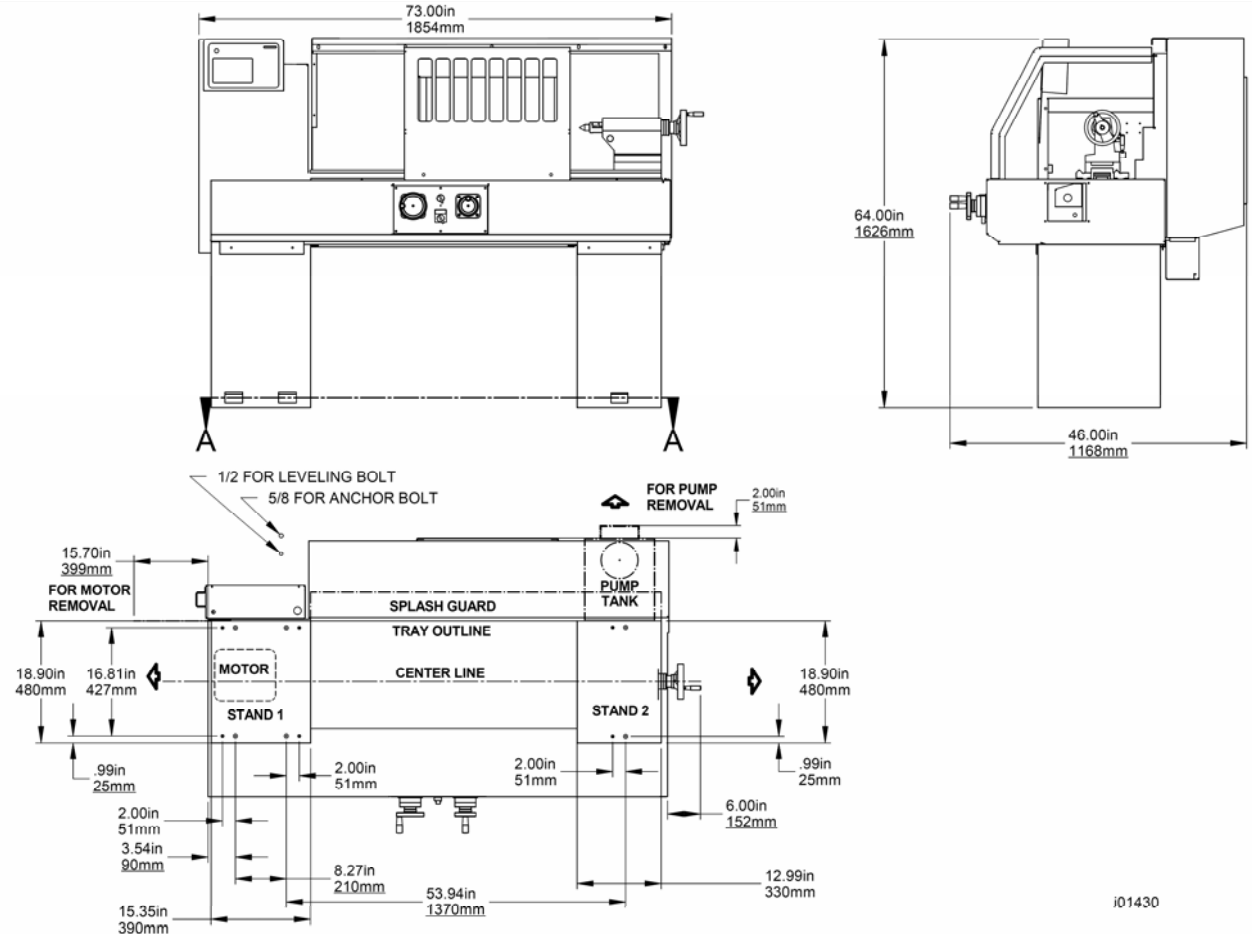
- Floor area = 73" x 46"
- Height = 64"
- Net (approx) Weight = 1800 lbs.
- Shipping (approx) Weight = 2200 lbs.
- A 36" clearance from the rear of the machine to the wall is required for repairs in the electrical enclosure.
- A solid and level foundation to maintain approximately 1800 lbs. plus the weight of the work piece is required. Six leveling screws are provided.
- For best results, it may be necessary to lag bolt the machine in order to remove any small amount of twist.

## Electrical

- A separate 220 VAC, 14 Amp, 60 Hz, 3 phase or 440 VAC, 7 Amp, 60 Hz, 3 phase circuit is required to maintain proper operation.
- A separate 110 VAC, 12 amps minimum, 60 Hz circuit is required to maintain proper operation.
- Machine tool must be earth grounded.

## Air

- Not required



i01430



Southwestern Industries, Inc.  
 2615 Homestead Place  
 Rancho Dominguez, CA 90220-5610 USA  
 T | 310.608.4422 | F | 310.764.2668

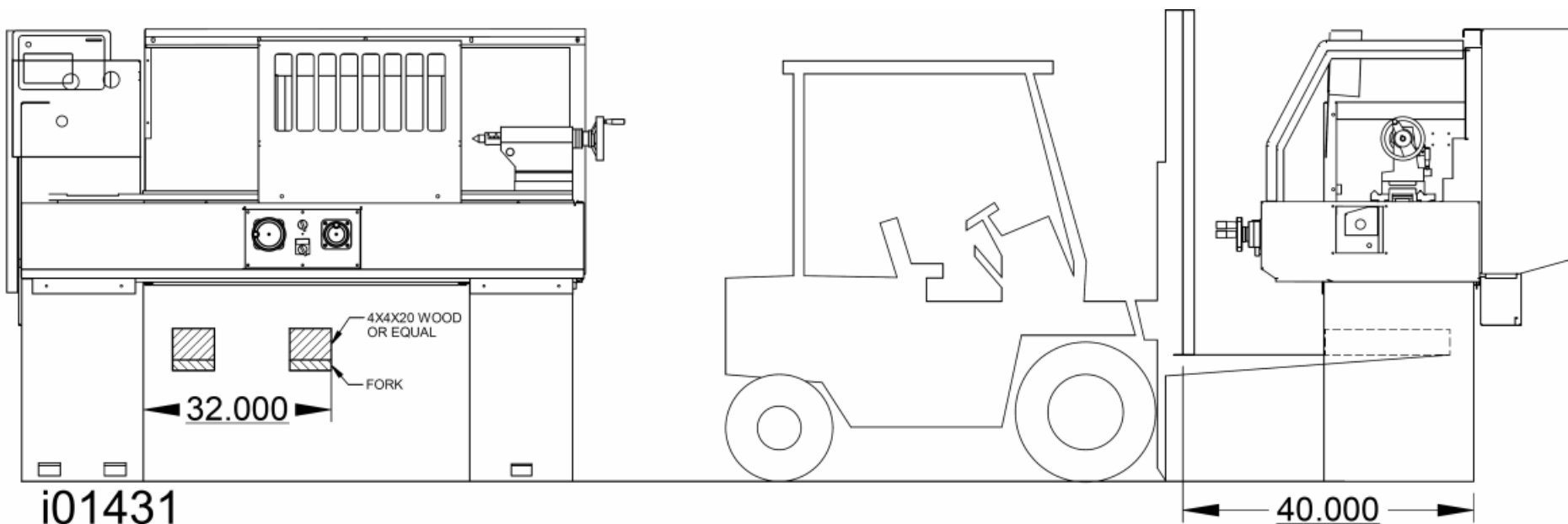
# Site Preparation Guide

## TRL 1440EX

### Lifting and/or Moving the Machine

**CAUTION!**  
Proper equipment of sufficient capacity must be used when lifting and/or moving the machine.

To lift the machine, remove the chip pan. Place the forks of the forklift at least 32" apart as shown in the figure below. Be certain to lift the lathe toward the headstock. Make sure the 4" x 4" blocks contact the bottom of bed casting and not the sheet metal enclosure.



Southwestern Industries, Inc.  
2615 Homestead Place  
Rancho Dominguez, CA 90220-5610 USA  
T | 310.608.4422 | F | 310.764.2668