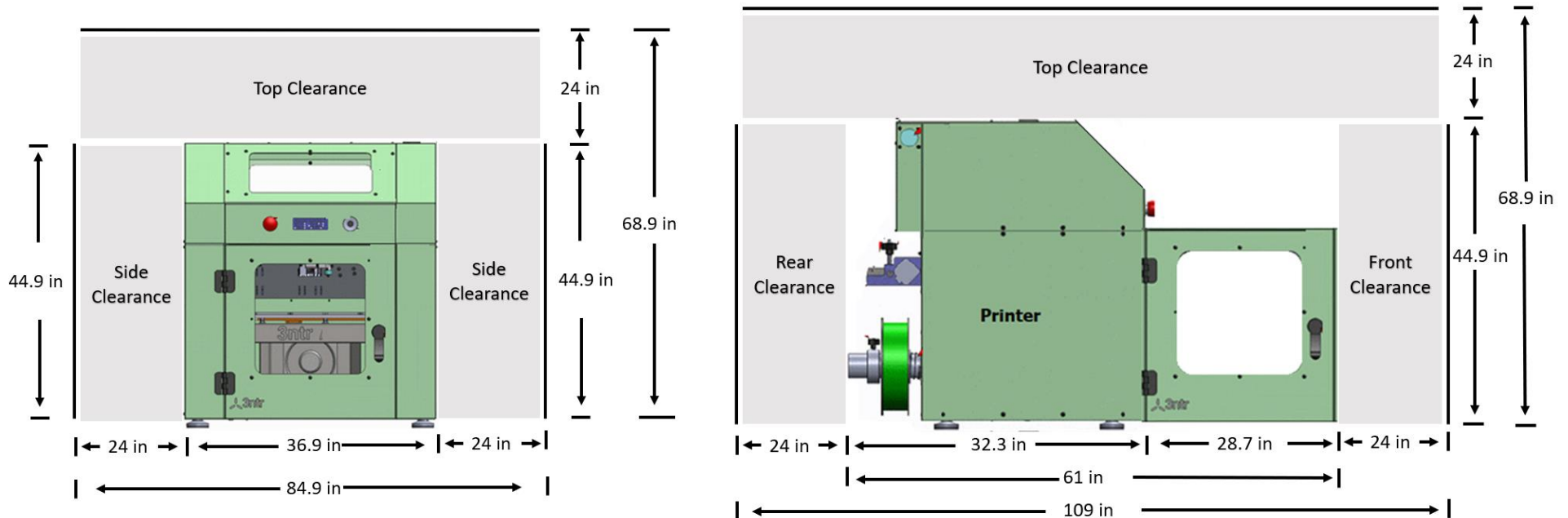


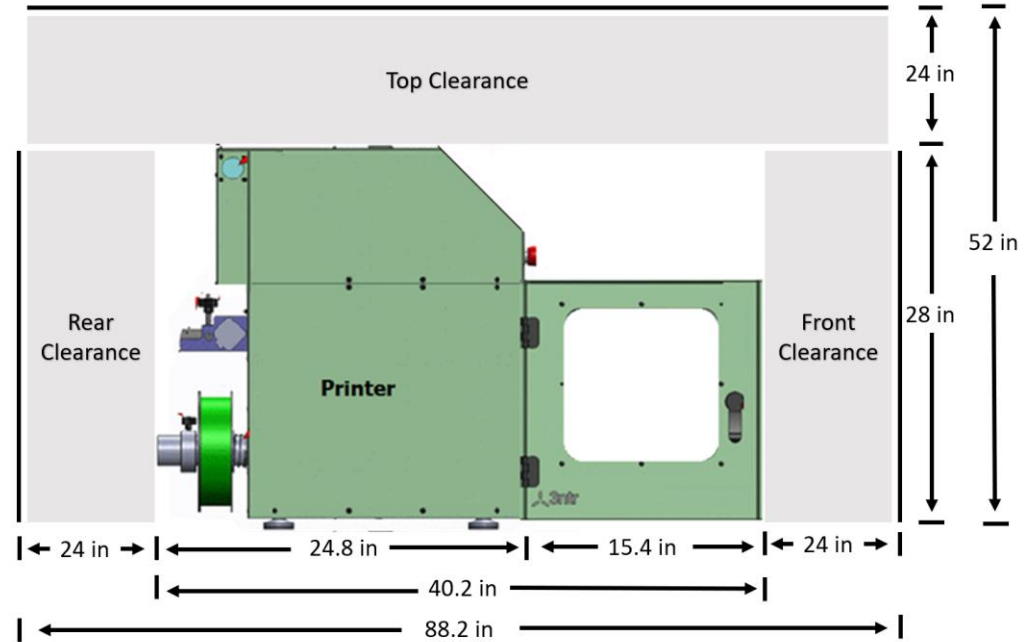
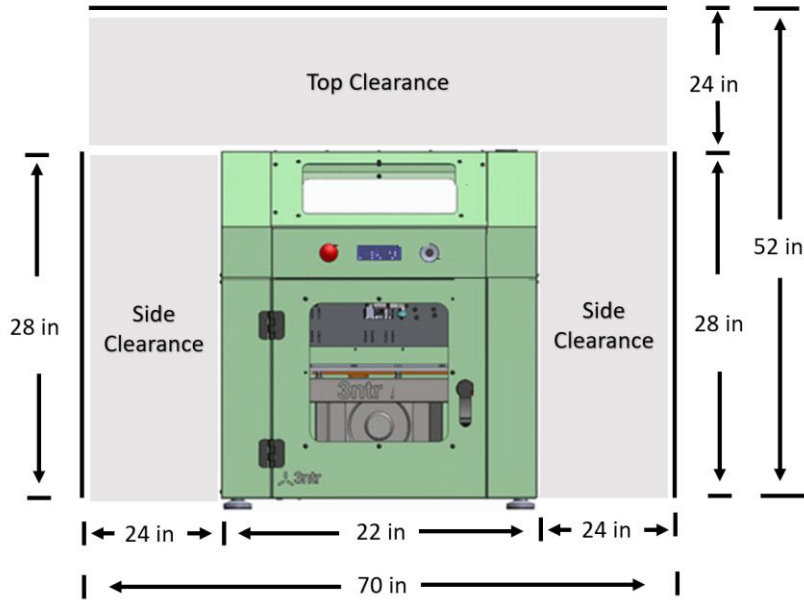
Floor Plan, Layout & Space Requirements

	A2	A4 110v	A4 220v	MMS
Printer Dimensions (w/ Doors Closed)	32.3 x 36.9 x 44.9" 820 x 937 x 1140 mm	24.8 x 22 x 28" 635 x 560 x 710 mm	24.8 x 22 x 28" 635 x 560 x 710 mm	30.6 x 38 x 32.5" 777 x 965 x 825 mm
Printer Dimensions (w/ Doors Opened)	61 x 36.9 x 44.9" 1550 x 937 x 1140 mm	40.2 x 22 x 28" 1022 x 560 x 710 mm	40.2 x 22 x 28" 1022 x 560 x 710 mm	88 x 38 x 32.5" 2235 x 965 x 825 mm
Printer Weight	242 lbs. 110 kg.	94 lbs. 43 kg.	94 lbs. 43 kg.	250 lbs. 114 kg
Shipping Dimensions	35 x 42 x 52" 890 x 1067 x 1320 mm	24.5 x 26.5 x 38.3" 622 x 673 x 973mm	24.5 x 26.5 x 38.3" 622 x 673 x 973mm	45.5 x 38.3 x 42.3" 1156 x 973 x 1074 mm
Shipping Weight	498 lbs. 226kg	152 lbs. 69 kg	152 lbs. 69 kg	370 lbs 168 kg

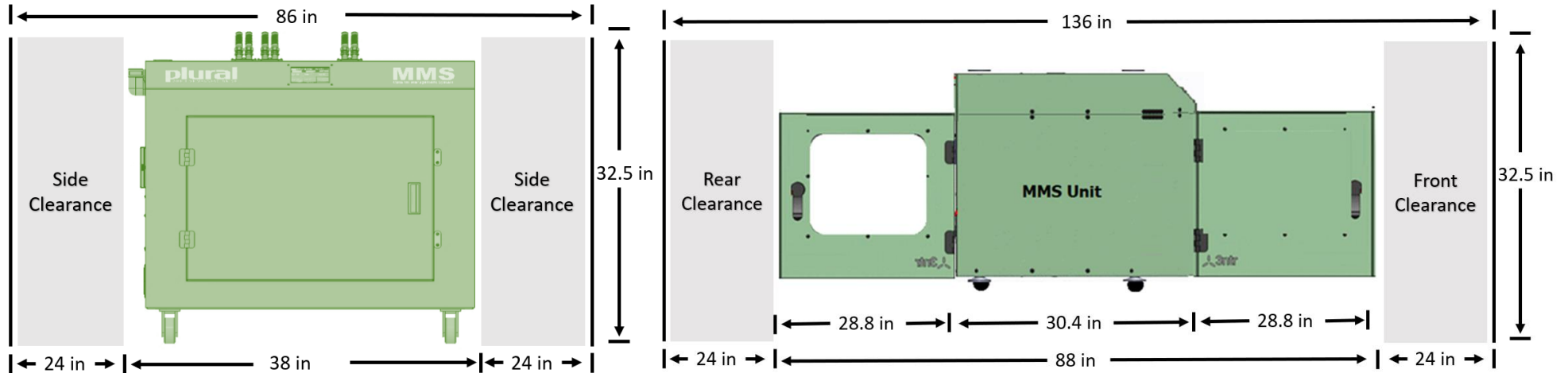
3ntr 3D Printer – A2



3ntr 3D Printer – A4



Plural AM – Material Management System (MMS)



PC Requirements for Slicers

Smart Slicer Interface (SSI) & KISSlicer

Requirements	Minimum	Recommended
Operating System	Windows 7, Windows 8	Windows 10
Display Resolution	1280 x 720	1920 x 1080
RAM	4GB	16GB +
Hard Disk Space	250 MB	1 GB +
Core Processor	2.0Ghz single-core	2.5 Ghz dual-core & up <i>*Slicing is multi-core, the more the better</i>

Environmental Requirements

	A2	A4 110v	A4 220v	MMS
Ambient Operating Temperature		61-90°F 16-32°C		
		Relative humidity 30% to 70% non-condensing		
Storage Operating Temperature		41-104°F 5-40°C		
		Relative humidity 30% to 70% non-condensing		
Noise Emission		<i>See Table & Chart below</i>		

Electrical Requirements

	A2	A4 110v	A4 220v	MMS
AC Input	220 / 230 VAC – 15A	110 / 120 – 10A	220 / 230 VAC – 10A	220 / 230 VAC – 15A

NOTE – TRAK supplies you with one of two plugs, depending on whether you ordered a printer that runs on 110v or 220v. For 220v devices, the customer is responsible for providing the L14-20R and/or L6-20R socket prior to the installation.

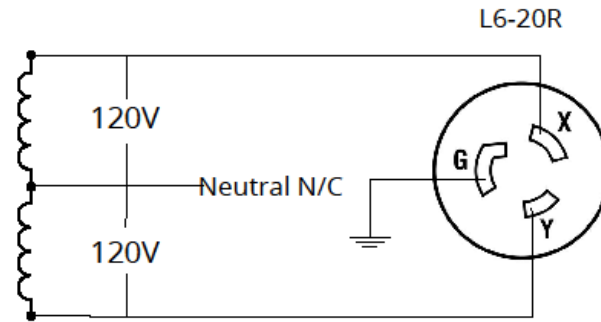


If you do not have a L14-20R or L6-20R socket set up, please see wiring diagram on next page.

Site Preparation Guide

3ntr Wiring Diagram

Two Phase



208 to 240 VAC ACROSS X - Y

PRINTER AND OPTIONAL CABINET
NEED 20 AMP SERVICE

Three Phase

